



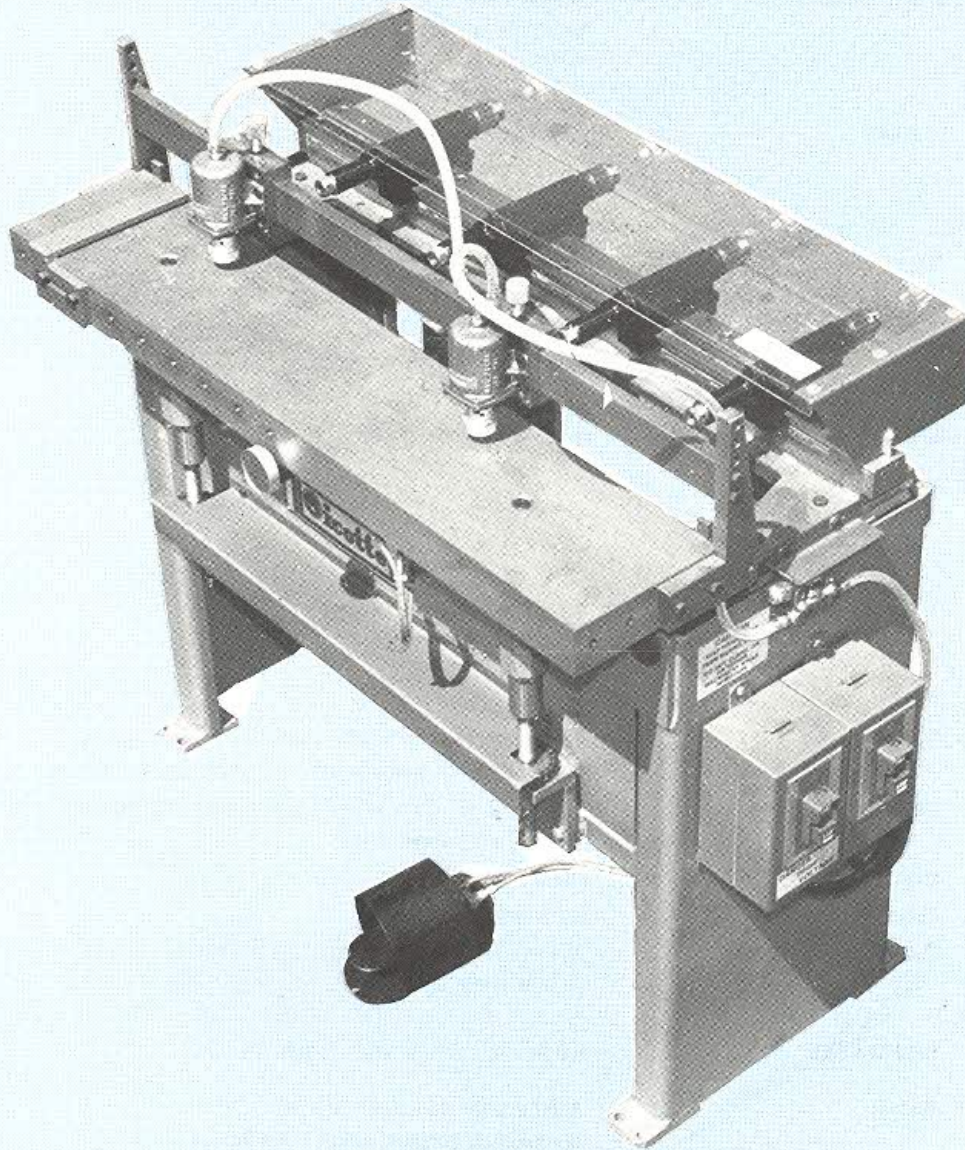
PAUL SICOTTE & FILS LIMITÉE

71, rue Dubois, Ste-Thérèse (Québec) Canada J7E 1K4
Tél.: (514) 435-8242, FAX.: (514) 437-5291

BULLETIN 87-17

MULTI-SPINDLE HORIZONTAL BORING MACHINE - MODEL AIRBOR 750

STURDY BUILT, BUDGET PRICED



The budget priced Multi-spindle Horizontal Boring Machine, Model Airbor 750, is made of a rugged steel construction that has a steel table with 2-1/2" of vertical adjustment. The spindles are mounted on a dovetail beam which has a variable speed feed and is adjustable up to a 4" stroke. The spindle feed operates with an air/oil system that is controlled by an air-logic system.



S P E C I F I C A T I O N S

Boring Area:	— 2-1/2" wide X 37" long
Table:	— Steel — 8' wide X 40' long with 2-1/2" vertical adjustment
Operation:	— Single stroke
Spindle Beam:	— Dovetail — 37" long
	— Adjustable up to a 4" stroke
	— Air/oil
	— Variable speed feed
Spindles:	— 1-1/2" in diameter with spring collet
	— Speed — 3,600 R.P.M.
	— Timing belt driven
	— Quantities as required
Motor(s):	— One (1) or two (2)
	— 1 HP, 3 Phase, 60 Cycle — 208/220/440/575 volts
	— Mounted on swivel base
	— Manual starter with protection
Hold Down:	— Two (2) air-operated with variable pressure
Guard:	— Removable plastic guard

O P T I O N A L

Spindle:	— 2" in diameter with Jacobs chuck 0 — 1/2" capacity
	— 1-1/2" or 2" in diameter with 1/2" hole and set screws
Motor:	— 1-1/2 or 2 HP, 3 Phase, 60 Cycle — 208/220/440/575
	— 110/220 volts single phase
Idler:	— Pulley
Template:	— Upon request
Cluster:	— 2, 3, 4, 5 or more spindles
	— 32 mm center in-line

DIMENSIONS: Height: 48", Width: 49", Depth: 34"

Weight: Approximate net weight: 650 lbs
Approximate shipping weight: 800 lbs