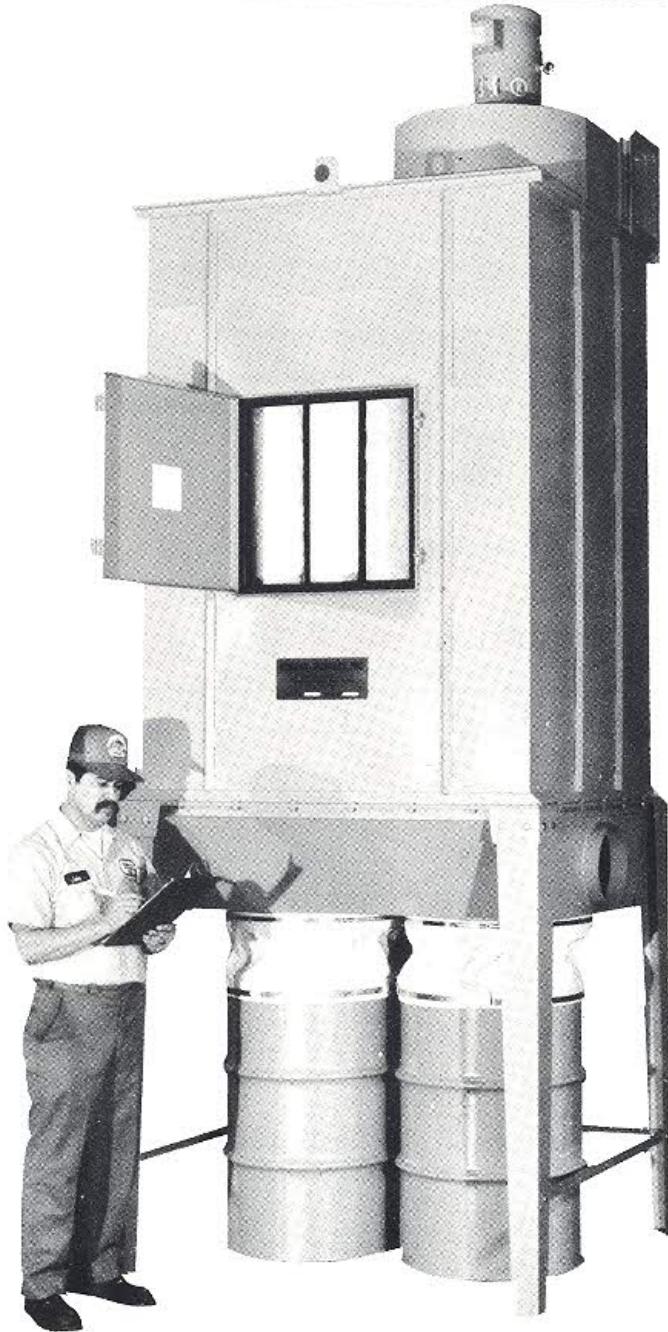


# MURPHY-RODGERS MODEL MRM

## DUST COLLECTOR



MODEL MRM . . .  
A HIGHLY EFFICIENT  
DUST COLLECTOR  
RUGGEDLY DESIGNED  
TO DO A FIRST CLASS  
JOB ON MOST  
TYPES OF DUST.



## OPERATION

The material enters the unit in the primary separation section. All the heavy particles drop into the storage area.

Then, only the finest particles rise into the secondary filter area. The dust is removed and the cleaned air passes up through the exhauster and out of the unit. When the filters are shaken the dust falls into the storage area, so there is only one dust pick-up point.

Nothing goes through the exhauster but clean air. This not only protects and extends exhauster life, but also eliminates risk of fire caused by sparks generated when material hits exhauster blades.

## FEATURES

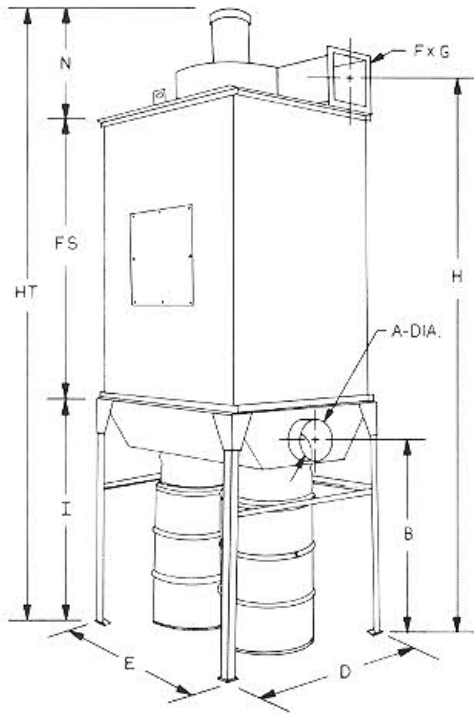
- Highly efficient performance.
- Fits into low ceiling areas, yet with minimal amount of floor space.
- Can be installed inside or outside the building.
- Easy to empty the collected waste.
- Flexible in design with capacities to fit all types of operations.
- Practically no maintenance.
- Totally enclosed in steel for fire protection and filter bag protection.
- Easily installed by inexperienced personnel.
- Manual shaking mechanism.
- "Pull Thru" type system protects fan from damage.
- 500 to 4,800 C.F.M.
- All sections of the unit readily accessible.
- Handles hot particles in metal-working trade (with special filter media).
- Shipped completely assembled. (Legs removed).
- Low initial cost.
- Secondary multi-bag type filtration.
- Retains warm air in plant.
- Several storage variations available.

## SPECIFICATIONS

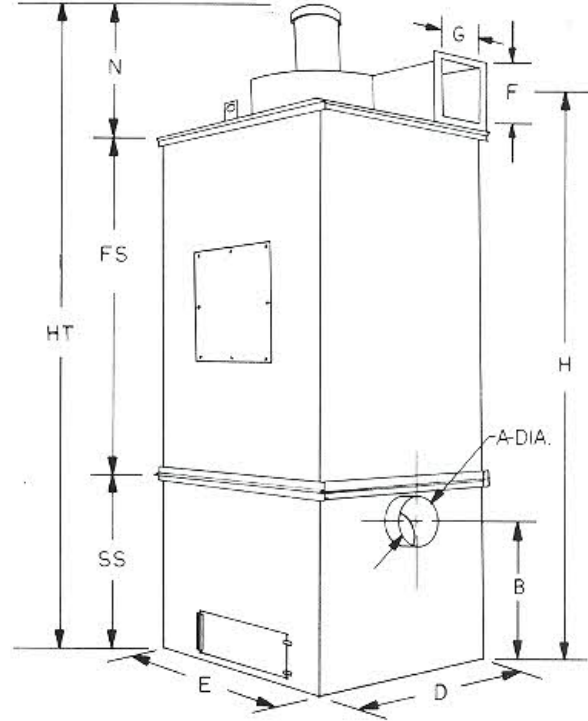
(Subject to change without notice.)

MODEL	B	CS	D	E	FS	F	G	H	HT	I	N	SS	WT
MRM-6-BASIC	29½	—	45	51	37½	5%	6%	76½	89½	—	16	36	684
MRM-7-BASIC	29	—	45	51	49½	5%	6%	88½	104	—	18½	36	789
MRM-6-2D	49	—	48½	54½	37½	5%	6%	97½	111	57½	16	—	680
MRM-7-2D	49	—	48½	54½	49½	5%	6%	109½	125½	57½	18½	—	783
MRM-9-2D	49	—	48½	54½	61½	6%	7%	122	139½	57½	20½	—	872
MRM-10-2D	49	—	48½	54½	73½	8	10%	135	155	57½	23½	—	1064
MRM-12-4D	66	—	54	72	61½	9½	9	140	162½	74	27	—	1399
MRM-14-4D	58	—	71½	71½	73½	9½	16½	155½	180	77	29½	—	2230
MRM-6-RAL	75	38	48½	54½	37½	5%	6%	109	137½	—	16	—	1093
MRM-7-RAL	75	38	48½	54½	49½	5%	6%	121	152	—	18½	—	1196
MRM-9-RAL	75	38	48½	54½	61½	6%	7%	133½	166	—	20½	—	1285
MRM-10-RAL	75	38	48½	54½	73½	8	10%	161½	181	—	23½	—	1477
MRM-12-RAL	91	54	54	72	61½	9½	9	166½	188½	—	27	—	2031
MRM-14-RAL	100½	54	71½	71½	73½	9½	16½	197½	222	—	29½	—	3970
MRM-6-50H	124½	33½	48½	54½	37½	5%	6%	179	187	—	16	49	1578
MRM-7-50H	124½	33½	48½	54½	49½	5%	6%	191	201½	—	18½	49	1679
MRM-9-80H	142½	33½	48½	54½	61½	6%	7%	229	233½	—	20½	67	1820
MRM-10-80H	142½	33½	48½	54½	73½	8	10%	229	248½	—	23½	67	2012
MRM-12-110H	166	49	54	72	61½	9½	12	240½	262½	—	27	74	2777
MRM-14-120H	150½	42	71½	71½	73½	9½	16½	245½	270	—	29½	74	3852

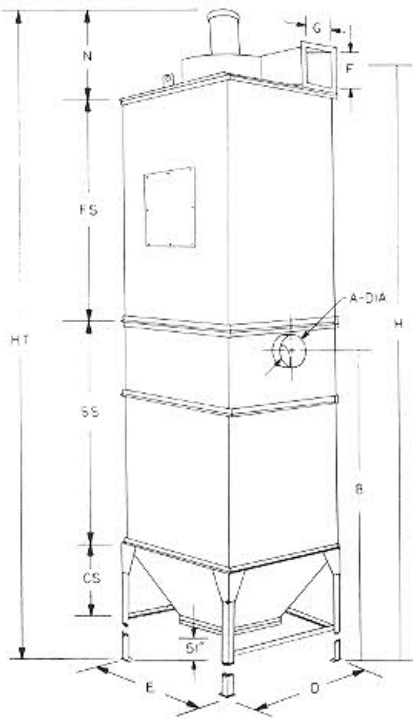
REVISED 11/84



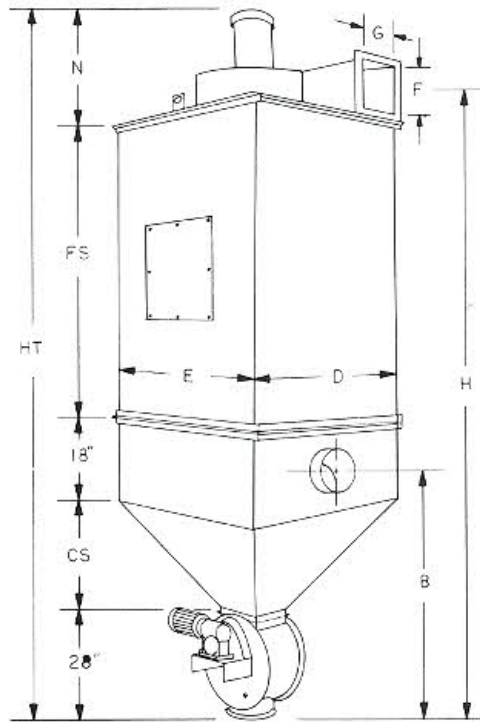
BARREL STORAGE UNIT



BASIC UNIT



STORAGE HOPPER UNIT

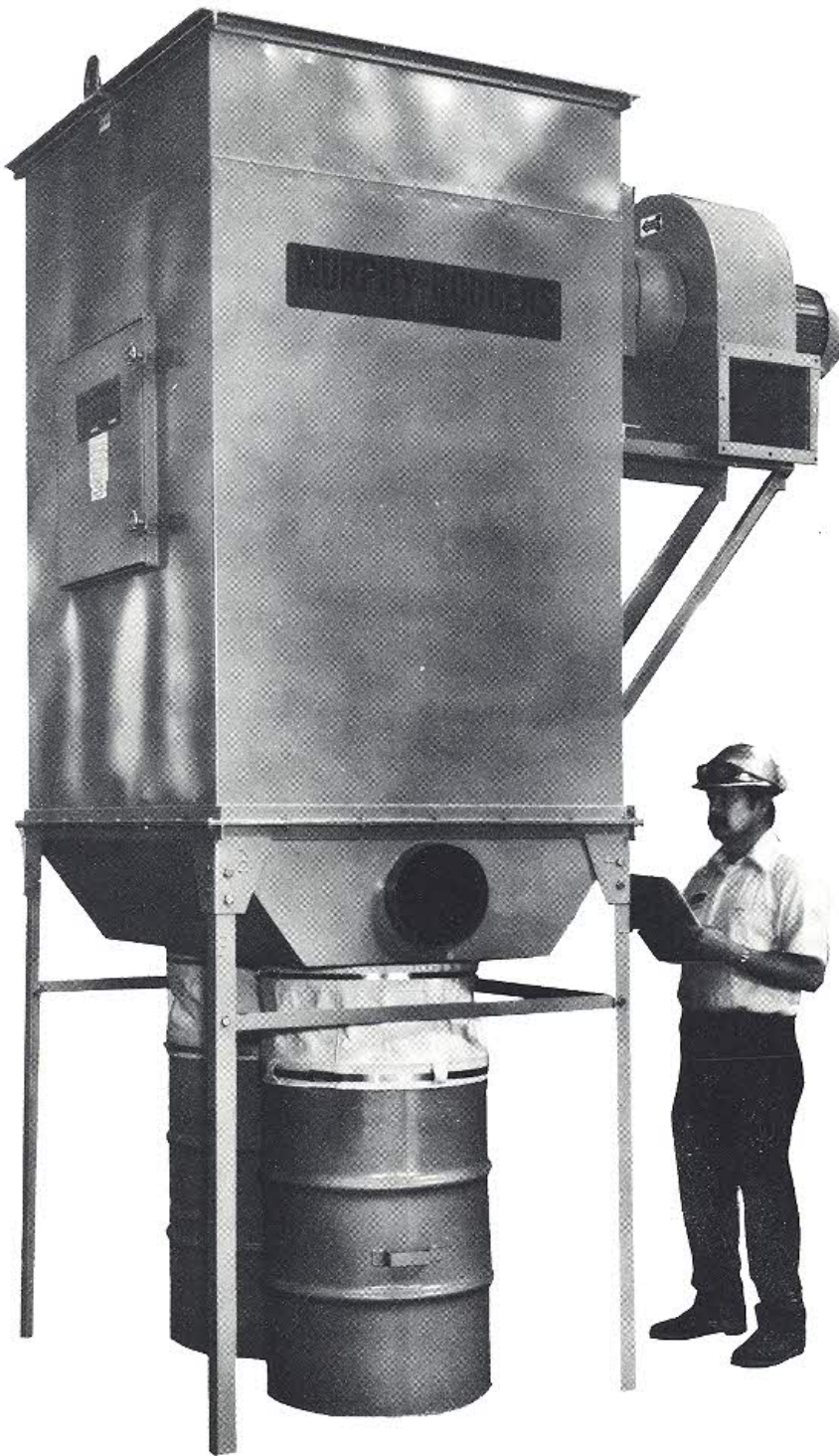


ROTARY AIR LOCK DISCHARGE

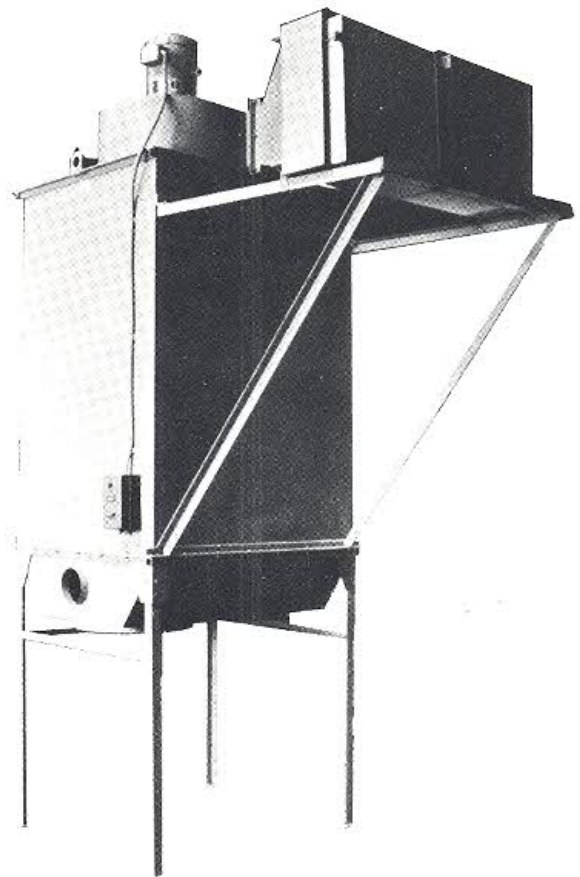
**SPECIFICATIONS COMMON TO ALL MODELS**

MODEL	"A" INLET	H.P.	NO. BAGS	CLOTH AREA	CFM	PIPE DROP CAPACITY
MRM-6	6"	2	30	106 Sq. Ft.	800 at 5" W.G.	(2) 4" or (1) 5" or (1) 6"
MRM-7	7"	3	30	156 Sq. Ft.	1,200 at 5" W.G.	(3) 4" or (2) 5" or (1) 7"
MRM-9	9"	5	30	206 Sq. Ft.	1,750 at 7" W.G.	(5) 4" or (3) 5" or (2) 6"
MRM-10	10"	7½	30	256 Sq. Ft.	2,600 at 6" W.G.	(6) 4" or (4) 5" or (2) 7"
MRM-12	12"	15	48	352 Sq. Ft.	3,900 at 7" W.G.	(8) 4" or (5) 5" or (4) 6"
MRM-14	14"	20	64	528 Sq. Ft.	4,800 at 7" W.G.	(12) 4" or (7) 5" or (5) 6"

# MODEL MRM-10 DUST COLLECTOR



Model MRM-10 with SIDE MOUNTED FAN and MOTOR ASSEMBLY, (Extra Equipment).



Model MRM-10 Collector with HEPA Type After Filter for toxic or hazardous material.

Distributed by:

ANOTHER FINE PRODUCT OF

**MURPHY-RODGERS, INC.**

DUST COLLECTORS & AIR POLLUTION CONTROL EQUIPMENT

2301 BELGRAVE AVE., HUNTINGTON PARK, CALIF. 90255

TELEPHONE (213) 587-4118