

**New Laser for
Industry & Trade**



Wide operation range of 5-30VDC with surge protection

Focusable or with fixed focus available

Output power up to 200mW

Threadmountable

Waterproof IP67

Red & Green

Compact

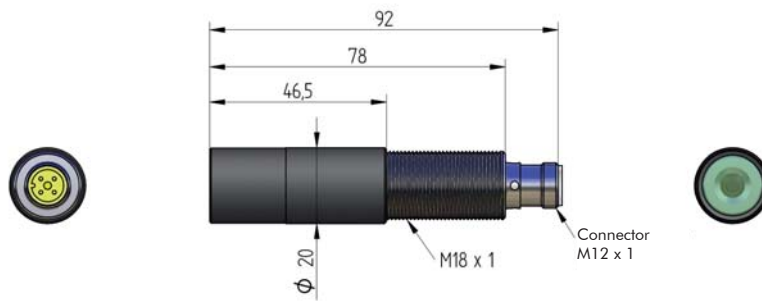
Z M18-B

**Perfect piece positioning
and sawblade guidance**

- Stoneworking
- Woodworking
- Metalworking
- Tire building
- Glass processing
- Plastic processing



Dimensions



Mechanical specifications

Dimensions	92mm x Ø 20mm
Housing	Laser: M18 Industry housing, chromed brass Optic head: Aluminium anodised
IP rating	IP 67
Connection	M12 plug, 4-pins

Electrical specifications

Supply voltage	5-30VDC +/- 5%
Operation mode	APC with current limit or CC
Modulation	no
Protection	Reverse polarity, surge/ESD

Optical specifications

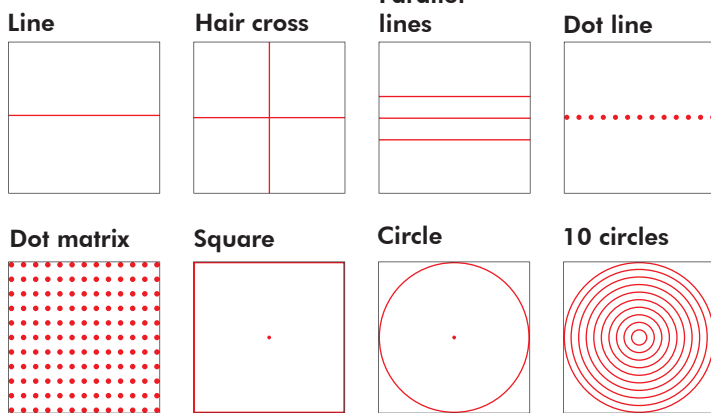
Output power	1-200mW (depending on wavelengths)
Wavelength	532nm - 980nm

Environment

Ambient temperature	-10°C up to +50°C (by using the Z-LASER mount H8-M18)
Storage temperature	-10°C up to +80°C
Humidity	Max. 90%
MTTF at 25°C	> 30.000h

For further information, see data sheet

Some available optics



Mounting, power supply and 90° optic head

